

## Hydrostatic fuel probe CL 412

- high accuracy and reliability
- high stability and repeatability
- fuel pressure and fuel temperature measurement
- CE compliant
- three year warranty

The CL 412 hydrostatic fuel probe is an integrated structure of capacity sensor and modern microprocessor-based electronic, which compensates additionally all sensor's measurements in its whole operating temperature range by means of appropriate mathematical function.

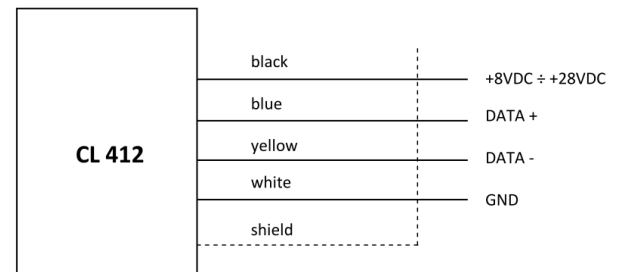
The output signal of CL 412 is analog 4÷20 mA or serial digital in RS 485 standard. The output signal contains data about the height of the liquid column and its temperature, what can be used for further analysis and compensation in parent unit cooperating.



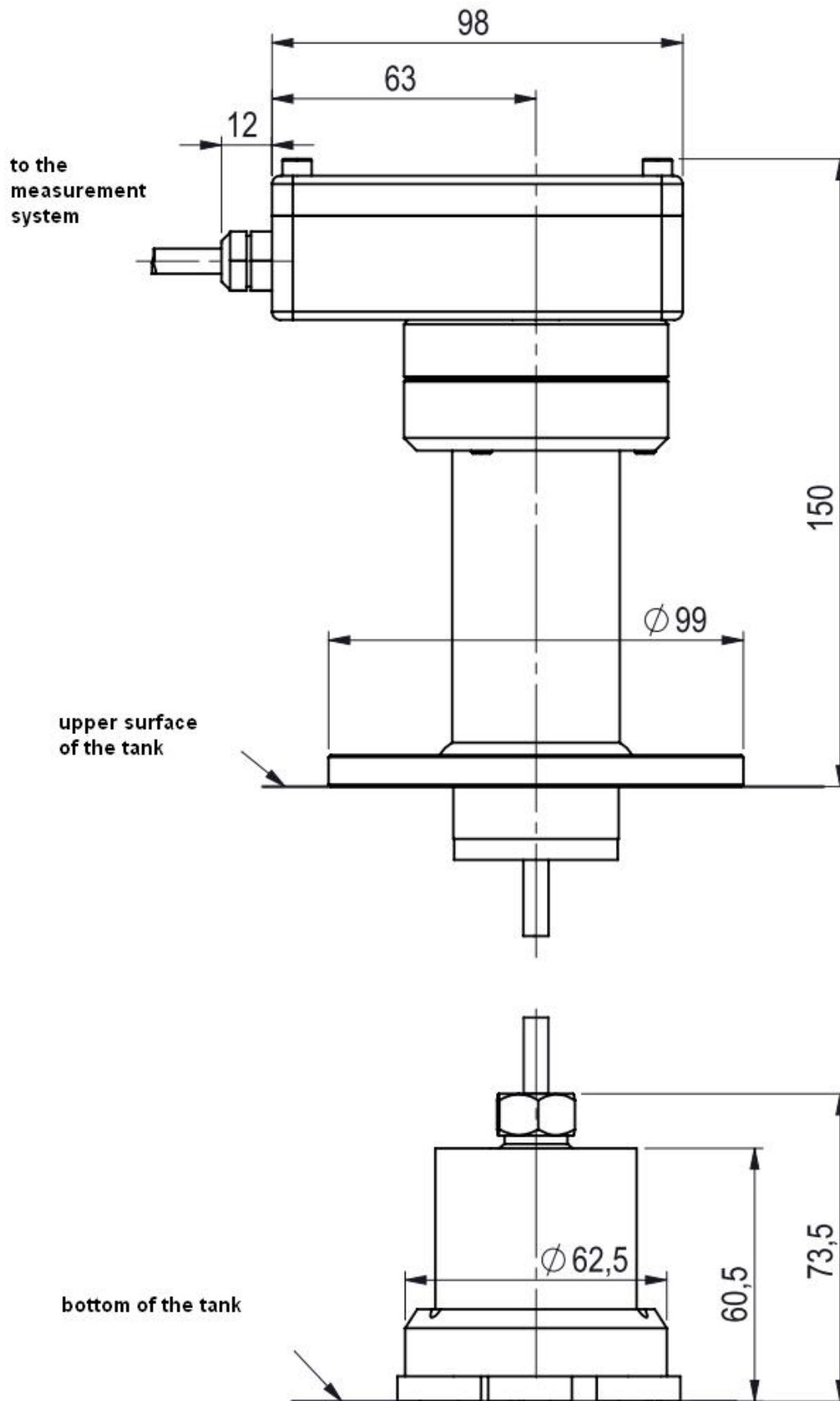
### Technical parameters

Supply voltage	8 Vdc ÷ 28 Vdc
Current consumption	< 5 mA
Communication port	RS 485
Temperature compensation range	-20°C ÷ +60°C
Operating temperature range	-40°C ÷ +80°C
Total error	≤0,2 %
Fuel pressure measurement:	
- range	0 ÷ 10 kPa
- resolution	1 Pa
Fuel temperature measurement:	
- operating range	-40°C ÷ +80°C
- resolution	0,01°C
Dimensions	according drawing
Weight	<1000 g

### Electrical connection



Hydrostatic fuel probe CL 412



Manufacturer and distributor

ZEPWN J. Czerwiński i Wspólnicy – spółka jawna, 05-270 Marki, ul. Kołłątaja 8  
tel./fax (0 22) 781 21 69, 771 24 11, e-mail: [zepwn@zepwn.com.pl](mailto:zepwn@zepwn.com.pl), <http://www.zepwn.com.pl>