

Rope tension gauge CL 17L/7÷10

- for rope diameters from 7 mm up to 10 mm (force range up to 7 kN)
- electronic with display
- non-invasive measurement on fixed rope
- electronic takes into account rope diameter and lay
- three year warranty



CL 17L/7÷10

The CL 17L/7÷10 rope tension gauge can be used for rope tension measurement in rope diameter range from 7 mm up to 10 mm and for various rope lays. The tool consists of strain gauge force sensor, rope pulleys and an electronic module with display.

Two external guide rolls secure the proper positioning of rope on the integrating roller. Displacement of the tension rope roll for measurement position is carrying out manually by use of the palm lever.

The measurement of the rope tension on the integrating roller is taking by the strain gauge force sensor.

The CL17L/7÷10 has 31 memory data banks with parameters, what allows to store calibration results for maximum 31 different diameters of tested ropes. Attention: for ropes with identical diameters but various lays and/or materials have to be carried out separated calibrations.

The rope tension gauge is equipped with RS232 communication port In standard or with RS485 on request to store measurement results in computer.

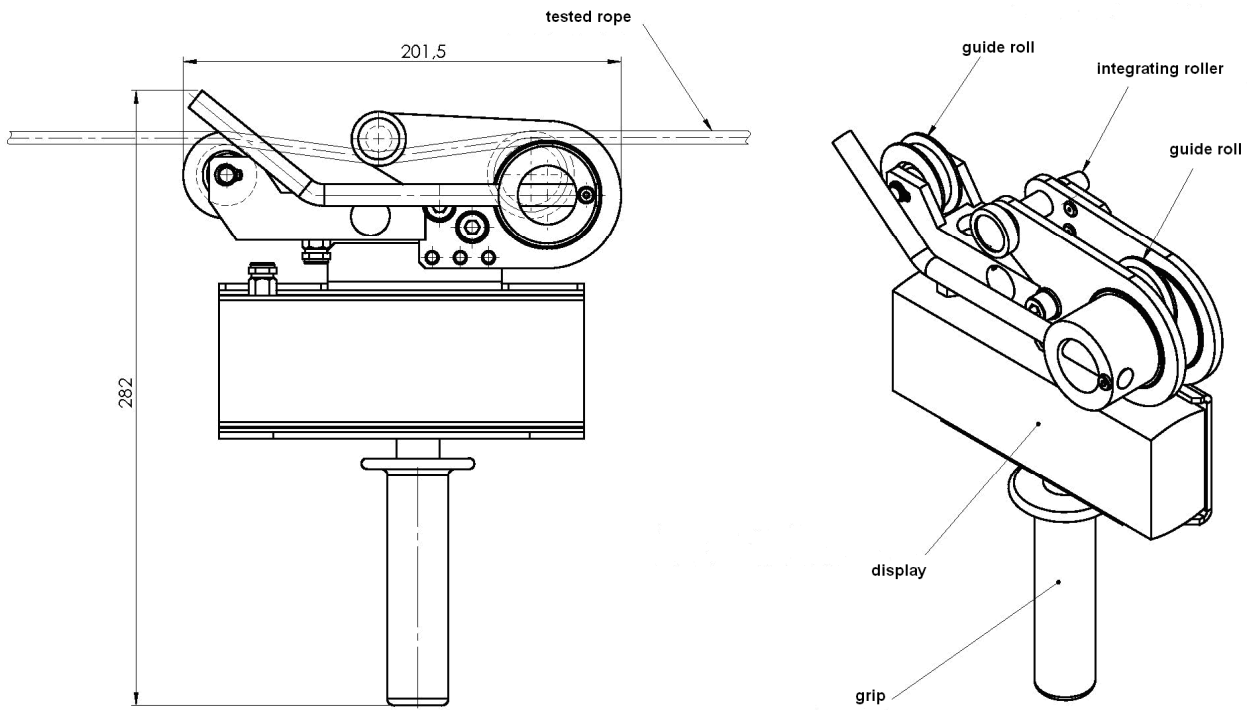
Technical parameters:

Force measuring range	[kN]	7
Rope diameter range	[mm]	7÷10
Total error	[%]	≤ 2,5
Measuring possible by		fixed (immobile) rope
Operating temperature	[°C]	-5 ÷ +50
Protected by		IP67
Weight	[kg]	2,85
Dimensions		according attached drawing
Communication port		RS232 (standard) or RS485

On request possibly also a special version for continuous measurements (for rope in move).

Rope tension gauge CL 17L/7÷10

Dimensions



CL 17L/7÷10