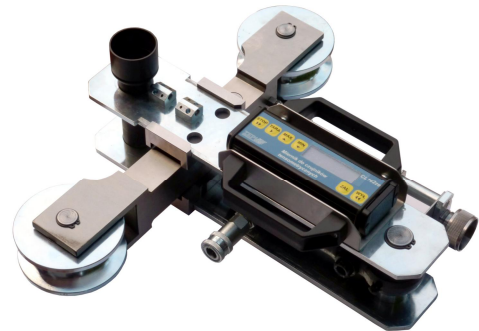


Rope tension gauge CL 17L/14÷24

- for rope diameters from 14 mm up to 24 mm (force range up to 100 kN)
- electronic with display
- hydraulic system for installing on the rope
- non-invasive measurement on fixed rope
- electronic takes into account rope diameter and lay
- three year warranty



CL 17L/14÷24

The CL 17L/14÷24 rope tension gauge can be used for rope tension measurement in rope diameter range from 14 mm up to 24 mm and for various rope lays. The tool consists of strain gauge force sensor, rope pulleys and an electronic module with display.

Two external rope pulleys secure the proper positioning of rope for measuring. Displacement of the tension rope pulley for measurement position is carrying out by use of the hydraulic system.

The measurement of the rope tension on the measurement pulley is taking by the strain gauge force sensor.

The CL17L/14÷24 has 31 memory data banks with parameters, what allows to store calibration results for maximum 31 different diameters of tested ropes. Attention: for ropes with identical diameters but various lays and/or materials have to be carried out separated calibrations.

The rope tension gauge is equipped with RS232 communication port In standard or with RS485 on request to store measurement results in computer.

Technical parameters:

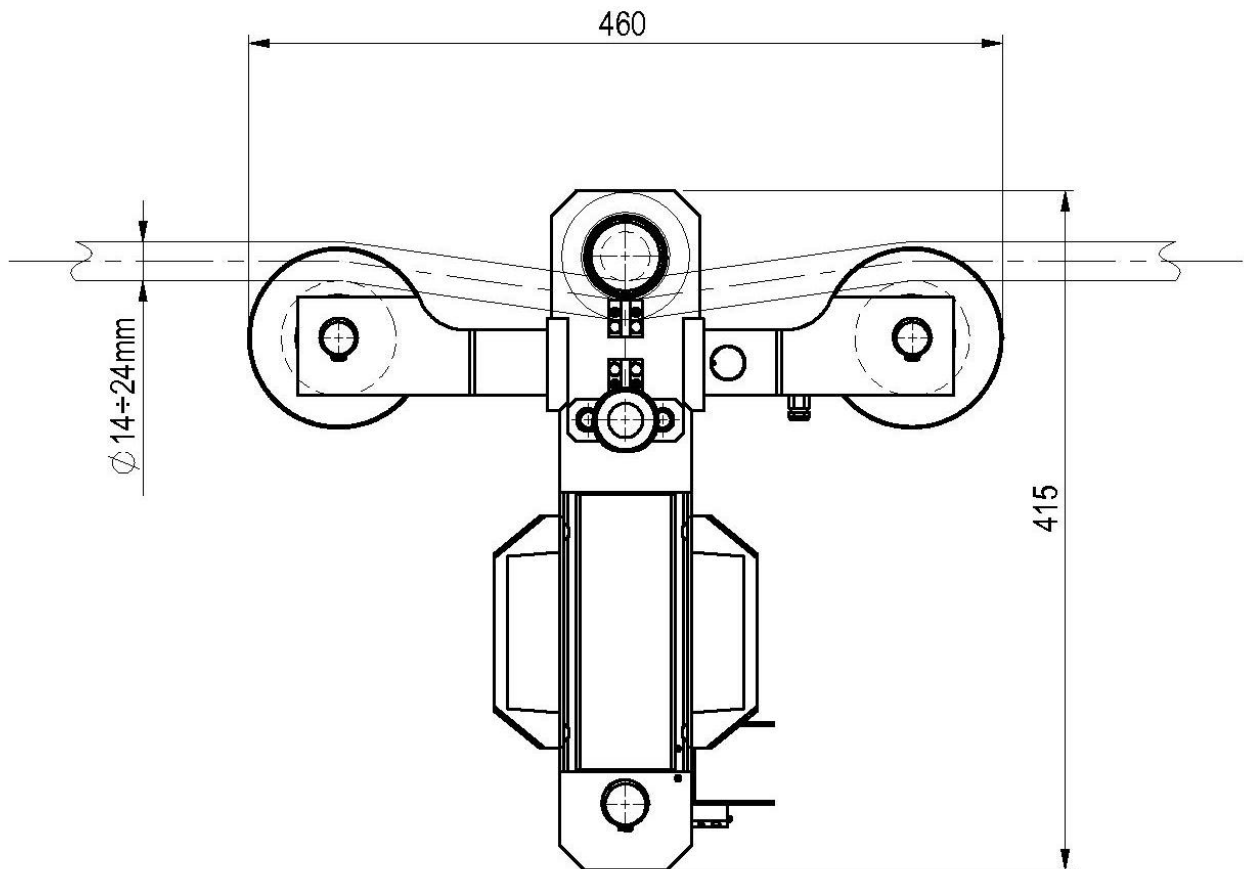
Force measuring range	[kN]	100
Rope diameter range	[mm]	14÷24
Total error	[%]	≤ 2,5
Measuring possible by		fixed (immobile) rope
Operating temperature	[°C]	-5 ÷ +50
Protected by		IP67
Weight	[kg]	18,9
Dimensions		according attached drawing
Communication port		RS232 (standard) or RS485

Rope tension gauge CL 17L/14÷24

Attention:

On request possibly also a special version for continuous measurement (for rope in move).

Dimensions



CL 17L/14÷24

Manufacturer and distributor:

ZEPWN J. Czerwiński i Wspólnicy – spółka jawna, Poland, 05-270 Marki, ul. Kołtąja 8
tel./fax: (004822) 7812169, 7712411, e-mail: zepwn@zepwn.com.pl, <http://www.zepwn.com.pl>