

Force sensor CL 21rse

- tension and compression
- integrated voltage (CL72-3U) or current (CL72-3I) amplifier plate
- measures only the axial component of the loading force
- low dimensions
- three year warranty and after market service
- on request can be supplied with a calibration certificate issued by accredited ZEPWN calibration laboratory or by Central Office of Measures in Warsaw



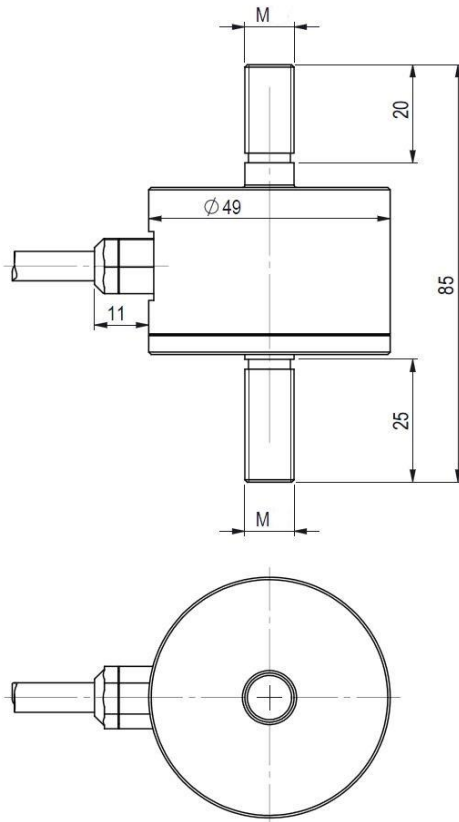
Specifications

Parameter	Unit	Value
Measuring range	kN	1; 2; 5; 10
Nonlinearity	%	≤0,5
Output signal		4÷20 mA or ± 10 V
Nominal supply voltage	Vdc	24
Signal of bridge imbalance	%	±0,2
Return of output signal after nominal load removed	%	≤0,03
Drift by nominal load	% / 30 min	≤0,03
Temperature limits	K	253 - 373
Temperature compensation	K	293 – 363
Temperature effect on sensitivity	% / 10K	≤0,05
Temperature effect on signal of unbalance	% / 10K	≤0,05
Maximum strain	mm	0,1
Material		steel
Cable length	m	3 (standard) or other on demand
Connector / Protection		gland with strain relief / IP64
Service load	%	50
Insulation resistance	GΩ	≥40
Own vibration frequency	kHz	> 3

Electrical connection:

yellow + 24 V
 white 0 V
 green + signal

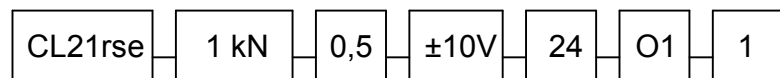
Force sensor CL 21rse



Range	M*
1-5 kN	M 8
10 kN	M 10

* other on demand

Order codes



Range: [kN] 1; 2; 5; 10

Nonlinearity: 0,5

Output signal: 4÷20 mA, ± 10 V

Maximum supply voltage: 24 V

Connector: O1 – gland with strain relief

Cable length 3 m (standard) or other on demand

Ordering example: CL 21rse – 1 kN – 0,5 – 4÷20 mA – 24 – O1 – 1

force sensor CL21rs, range 1kN; nonlinearity 0,5; output signal 4÷20 mA; supply voltage 24 V; connector: gland with strain relief; cable length 1 m.

Manufacturer

ZEPWN J. Czerwiński i Wspólnicy – spółka jawna, 05-270 Marki, ul. Kołtątaja 8

tel./fax: (22) 7812169, 7712411, e-mail: zepwn@zepwn.com.pl, <http://www.zepwn.com.pl>