

### Force meter CL 161

- Tension load
- High accuracy
- Remote control
- PC interface RS 485
- Three year warranty and after market service



The force meter CL 161 has been designed for measuring tensile forces in range from 1 kN up to 100 kN. The device has following functions: zero adjustment, tare, indication of minimum and maximum. The measurements are shown on the display. All that functions can be used also with an infrared remote control. The device is equipped with lifting slings. Additional the force meter can be connected to the PC using RS 485 (if requested). A computer program compatible with Windows allows to record measurements results in time function.

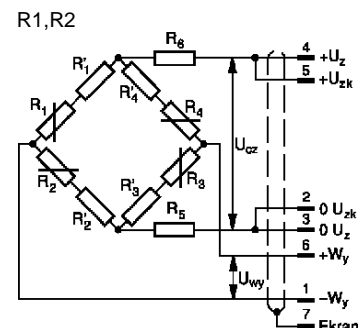
The force meter CL 161 is a wireless device with batteries, which are rechargeable with attached power pack.

#### Specifications:

Range	[kN]	1; 2; 5; 10; 20; 50; 100
Number of graduations	[thousand]	10 20 5 10 20 5 10
Resolution	[N]	0,1 0,1 1,0 1,0 1,0 10 10
Peak error	[%]	0,1
Load forces		tension
Display type		LED
Sampling rate	[1/s]	5
Signalisation of each function finish		acoustic
Signalisation of batteries discharging		blinking display
Supply		batteries
Battery life	[h]	8
Protection degree		IP 55
Operating temperature	[°C]	0 ÷ 50
Humidity	[%]	80
Barometric pressure	[kPa]	80 ÷ 106
Dimensions		as in table below

#### Designations and cable outlets

1 brown	$-W_y$
2 pink	$0 U_{zk}$
3 white	$0 U_z$
4 yellow	$+U_z$
5 grey	$+U_{zk}$
6 green	$+W_y$
7 black	shield



# Force meter CL 161

## Standard set includes:

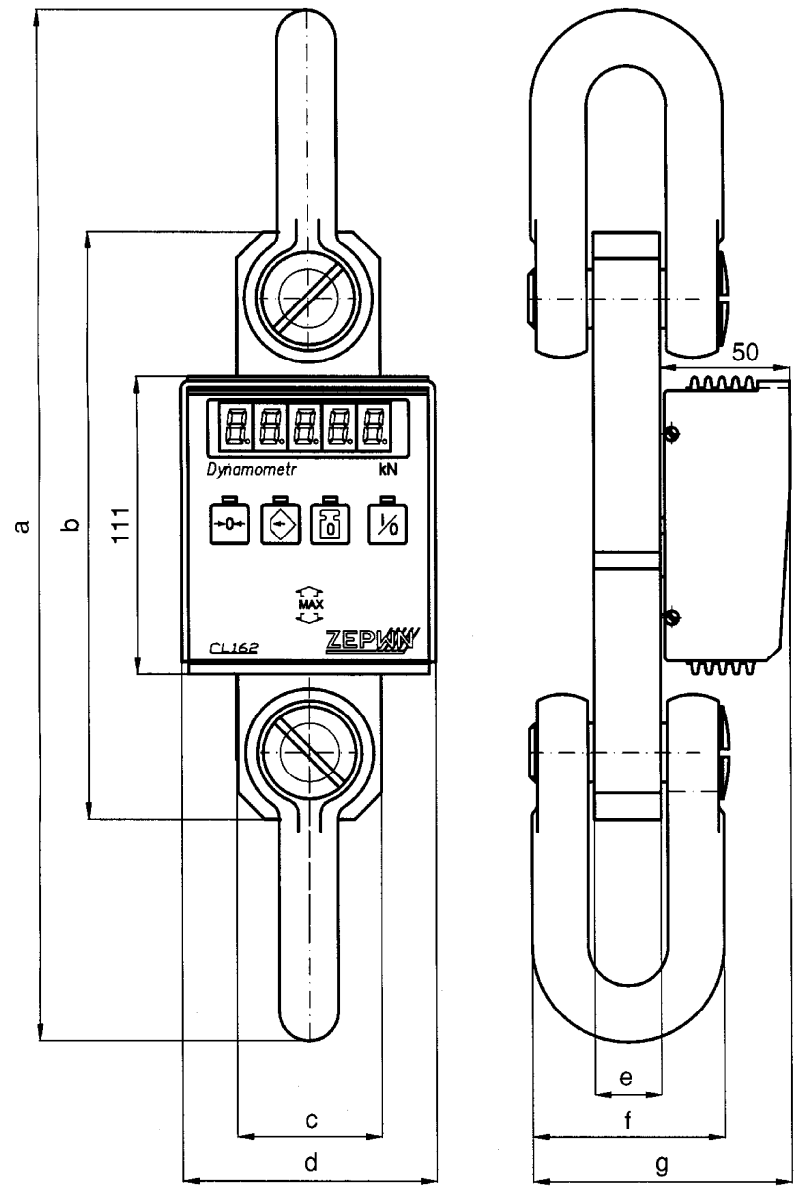
- Force meter CL 161 without lifting slings
- Integrated battery pack
- Power pack for charging batteries
- Remote control
- Operating manual
- Warranty sheet

## Optional equipment:

- RS 485 connection, cable RS 485 (length 3 m or other optional), software CLMP 161 with installation manual
- Lifting slings

## Quality assurance

Each sensor is detailed examined after manufacturing process. The manufacturer offers 36 month warranty for the sensor and after that time also repair and calibration services.



Size		Measuring range (kN)						
		1	2	5	10	20	50	100
a	(mm)	230	230	270	320	390	525	650
b	(mm)	185	185	220	220	240	280	347
c	(mm)	60	60	65	70	95	110	125
d	(mm)	95	95	95	95	95	95	95
e	(mm)	10	10	14	18	27	42	60
f	(mm)	25	25	37	45	66	103	152
g	(mm)	68	68	76	82	97	123	156

## Manufacturer

Zakład Elektroniki Pomiarowej Wielkości Nielektrycznych, 05-270 Marki, ul. Kołłątaja 8  
tel./fax: 004822. 7812169, 7712411, e-mail: [zepwn@zepwn.com.pl](mailto:zepwn@zepwn.com.pl), <http://www.zepwn.com.pl>

Force meter CL 161

---

Manufacturer

Zakład Elektroniki Pomiarowej Wielkości Nielektrycznych, 05-270 Marki, ul. Kołtąja 8  
tel./fax: 004822. 7812169, 7712411, e-mail: [zepwn@zepwn.com.pl](mailto:zepwn@zepwn.com.pl), <http://www.zepwn.com.pl>