

Force sensor CL16md

- tension and compression
- measuring the axial component of the loading force only
- high accuracy
- three years warranty

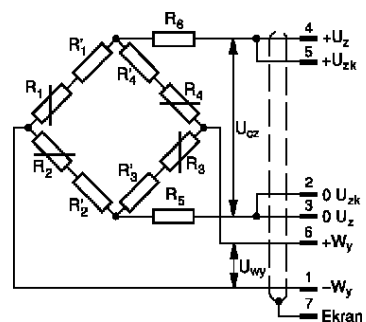


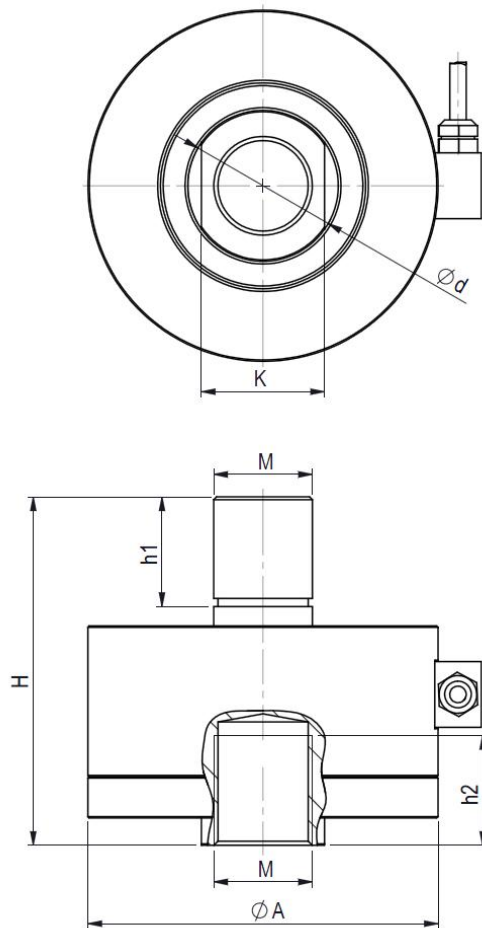
Technical data

Parameter	Unit	Value
Nominal capacity	kN	0,1; 0,2; 0,5; 1; 2; 5; 10; 20; 25; 50; 100; 200; 250
Accuracy class		00; 0,5 or 1 referred to the measurement results in range 10% up to 100% of the nominal capacity
Nominal sensitivity	mV / V	1 or 2
Nominal input voltage	Vdc	10
Input impedance	Ω	380
Output impedance	Ω	≥ 350
No load output	%	$\pm 0,2$
Creep error	% / 30 min	$\leq 0,03$
Temperature limits	K	293 ± 5
Temperature compensation	K	293 – 363
Temperature coefficient of sensitivity	% / 10K	$\leq 0,05$
Maximum deflection	mm	0,3
Material		steel
Cable length	m	3 (standard) or other on request
Connector / Protected		LEMO / IP54
Service load	%	50
Insulation resistance	G Ω	≥ 40

Electrical connection

- | | |
|----------|-------------------|
| 1 brown | -W _y |
| 2 pink | 0 U _{zk} |
| 3 white | 0 U _z |
| 4 yellow | +U _z |
| 5 grey | +U _{zk} |
| 6 green | +W _y |
| 7 black | shield |





Dimensions

Range	H	A	M	h1	h2	d	K
	mm						
100N	70	85	M8	20	20	20	17
200N	70	85	M8	20	20	20	17
500N	70	85	M8	20	20	20	17
1kN	70	85	M8	20	20	20	17
2kN	70	85	M8	20	20	20	17
5kN	90	100	M12	25	30	25	22
10kN	90	100	M12	25	30	25	22
20kN	96	115	M24x2	30	30	40	36
25kN	96	115	M24x2	30	30	40	36
50kN	96	115	M24x2	30	30	40	36
100kN	127	128	M36x3	40	40	55	46
200kN	160	150	M42x3*	50	50	60	55
250kN	160	150	M42x3	50	50	60	55

* M39x3 on request

Ordering proposal

CL 16md – 25 kN – 0,5 – R2 – 10 – 3: measuring range 25 kN; accuracy class 0,5; sensitivity 2 mV/V; nominal input voltage 10V; cable length 3m.

Manufacturer

ZEPWN J.Czerwiński i Wspólnicy spółka jawna, 05-270 Marki, ul. Kołłątaja 8
 tel./fax: (048022) 7812169, 7712411, e-mail: zepwn@zepwn.com.pl, <http://www.zepwn.com.pl>